

Service Bulletin

Mega-Polisher Belt Tensioning

Background

During the first few weeks, drive belts settle in and may stretch slightly. If belts lose tension, they can start to slip on the main drive pulley.

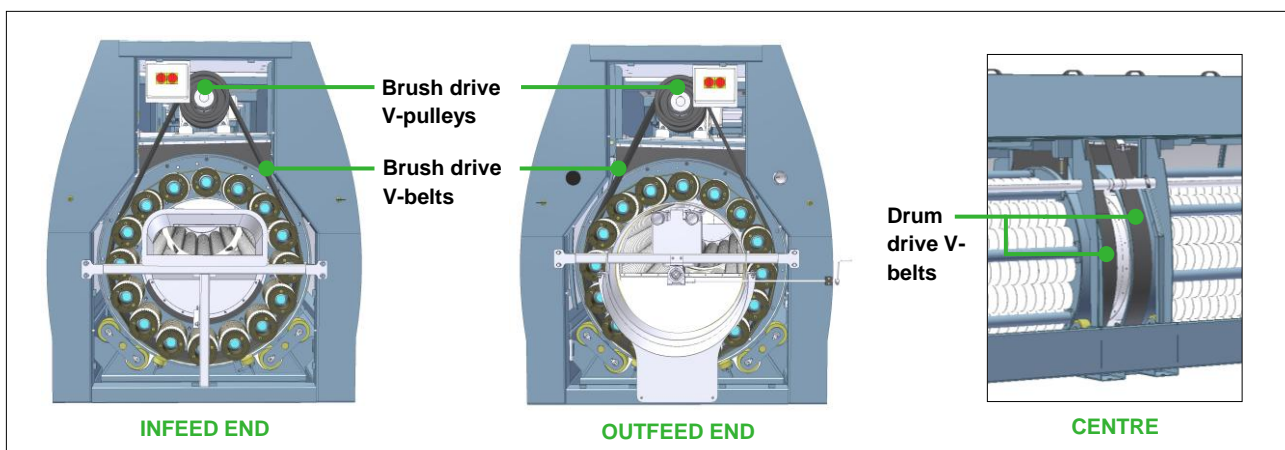
For the first 250 hours of operation, check belt tension daily. After this time, belts stretch more slowly. Check tension every second day from then on.

Recognising Belt Slippage

- Drum stays still or turns very slowly but drum drive pulley spins at normal speed.
- Drum stops or turns the opposite way.
- Brushes turn slower than usual.
- Friction on belt causes smoke and/or a smell of burning rubber.
- Thumping/whirring is heard as belt slips over the pulleys/drum.
- Excessive uneven belt wear, hardening and/or cracking.

Recognising Over-tensioned Belt

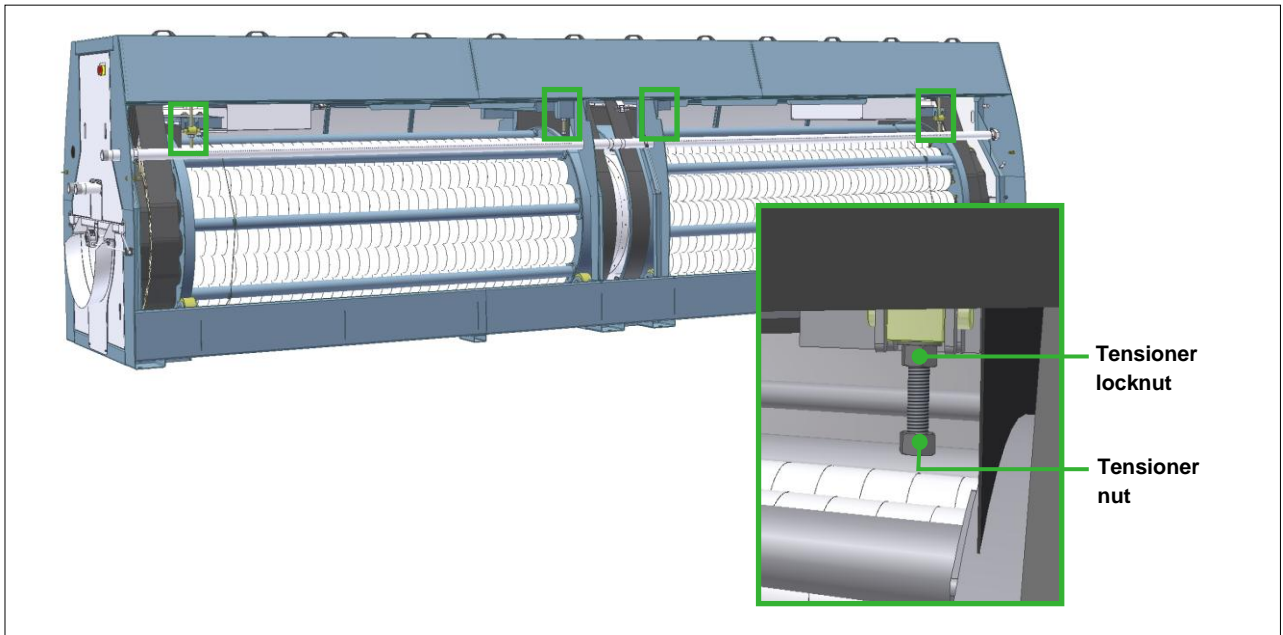
- Drum support rollers do not rotate with the drum, or only rotate occasionally.
- Severe belt groove wear.
- Excessive loud noise.



Part Descriptions

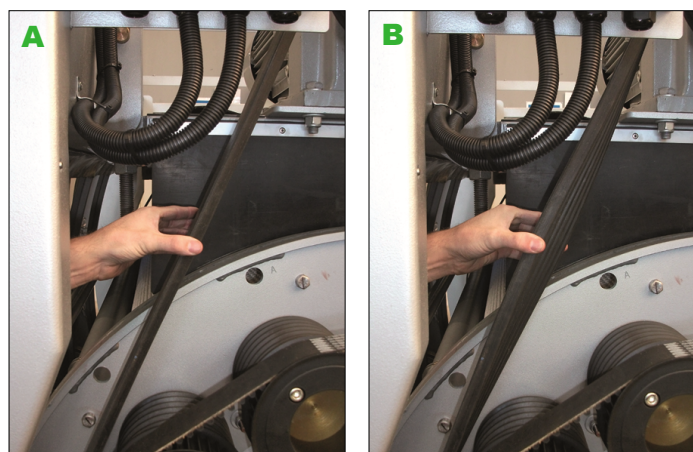
Tensioning Procedure

1. Make sure machine is off and locked.
2. Slide door open to access belt tensioner.
3. Loosen locknut.
4. Turn tensioner nut to raise/lower the motor.
5. Tension belt until drum lifts slightly off drum support rollers then lower drum until it just touches drum support rollers again.



Tensioner Assembly

Note: Check belt tension by hand. Take hold of the belt (A) and use reasonable force to turn clockwise. When correctly tensioned, belt should only move a quarter turn (B). If belt is loose, see Step 6 below.



Checking Belt Tension

6. If belt is still slipping, turn tensioner nut another turn or so.
7. When tensioned correctly, re-tighten locknut, replace all covers and close door.
8. Securely fasten all parts before operation.



Warning: If drum and support rollers are not in contact, **machine will fail!**

Synchronous Belt Tensioning

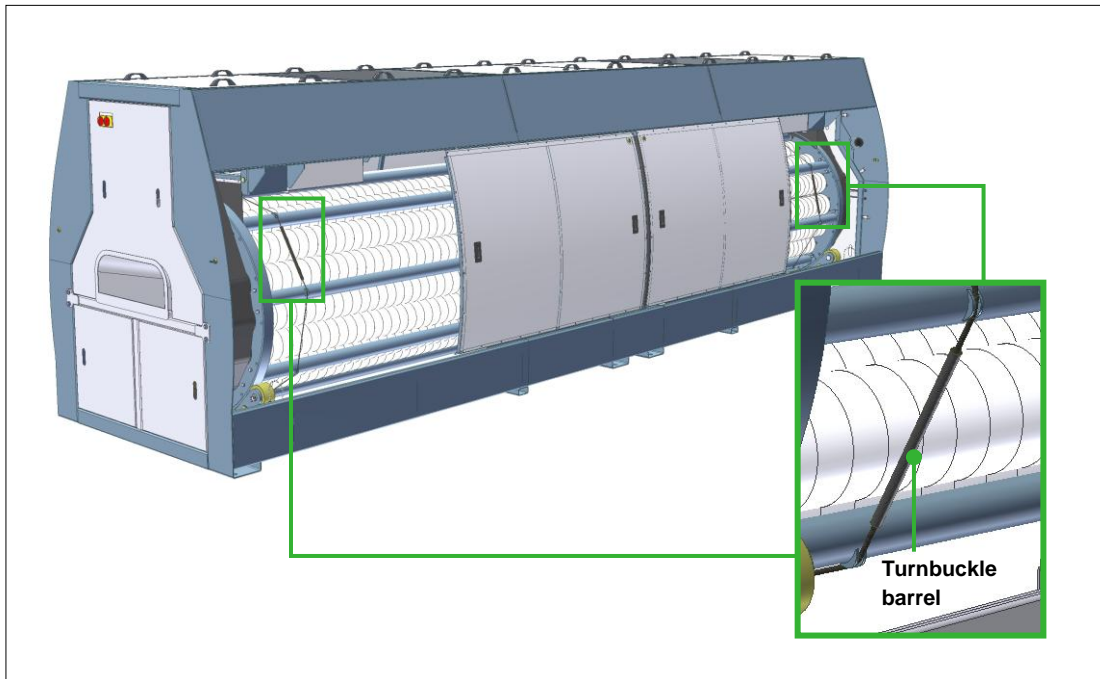
Check synchronous belt tension by hand. Belt should only move slightly when tugged hard with both hands. If belt moves easily, adjust tension.



Checking Belt Tension

Tensioning Procedure:

1. Make sure machine is off and locked.
2. Open side door.
3. Hold both cable ends with appropriate tooling then release turnbuckle locknuts. Turn turnbuckle barrel until the synchronous belt becomes tight.
4. Re-check belt tension.
5. When tensioned correctly, tighten turnbuckle locknuts. Do not twist the cable.
6. Securely fasten all parts before operation.



Tensioning Mechanism